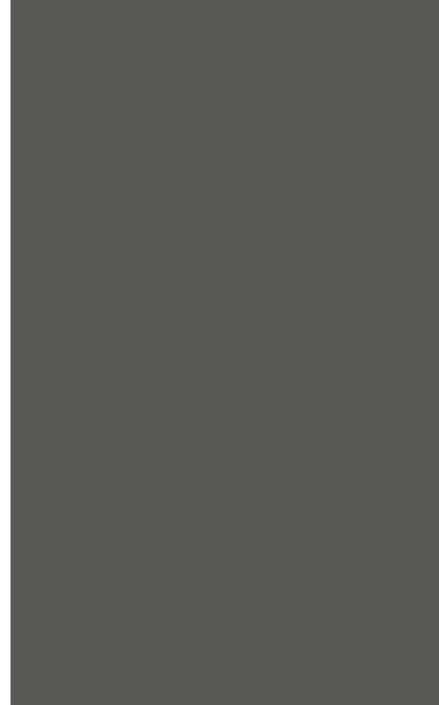


Bisley Seating

US Edition



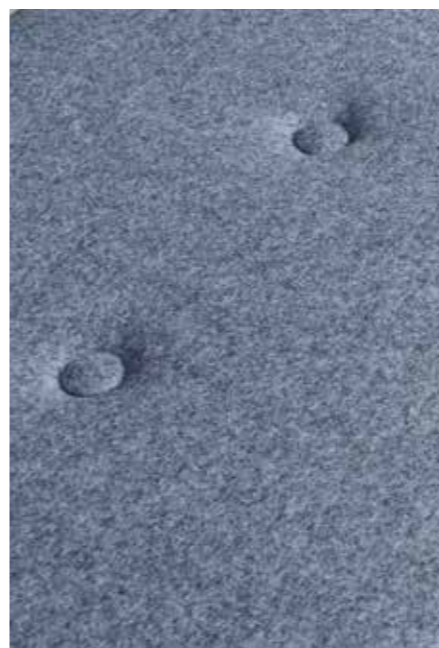
BISLEY



Every modern workspace needs places to unwind and recharge or simply work away from the desk in a more casual setting. The Be range of soft seating and informal tables has a relaxed feel while still conducive to work. Chrome plated legs appear on all the soft seating in the range, including the stools and chairs that accompany the Collaboration Stations and there are various color and material options to choose from. Coffee tables take the place of desks in a relaxed zone where there's scope to get down to work or simply sit comfortably for a quick discussion or meeting.



Inspired Seating



Contents



Seating

Be Upholstery

- Perch Stool page 9
- High Stool page 9

Reception & Conference

- Be Bench page 11
- Julio Sofa Range page 13
- Leaf Chair page 15

Tables

Tables

- Habana Tables page 17
- Mondo Round Table page 17

- Fabric Color Options page 18
- General Terms & Conditions page 19



Be Soft Seating

Bisley's range of soft seating has been designed for collaborative, work lounge and hospitality areas in progressive working environments. The range comprises radial and straight benches, booth seating available in low or high back options, high stools, conference chairs and perch stools. A range of occasional tables complements the seating.

Designed by Jason Lansdale

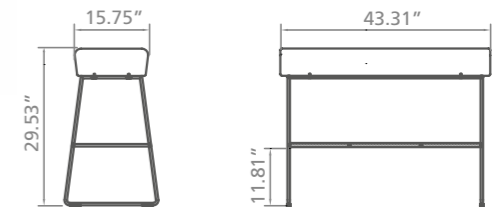
Seating - Be Upholstery



Perch Stool

The Perch Stool provides stool height seating for two people and promotes collaboration and group interaction. The upholstered seat is supported on a chrome plated steel rod frame.

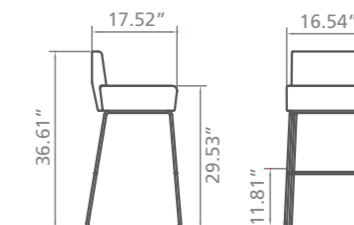
43.31" w Perch Stool No Back **EUSW**



High Stool

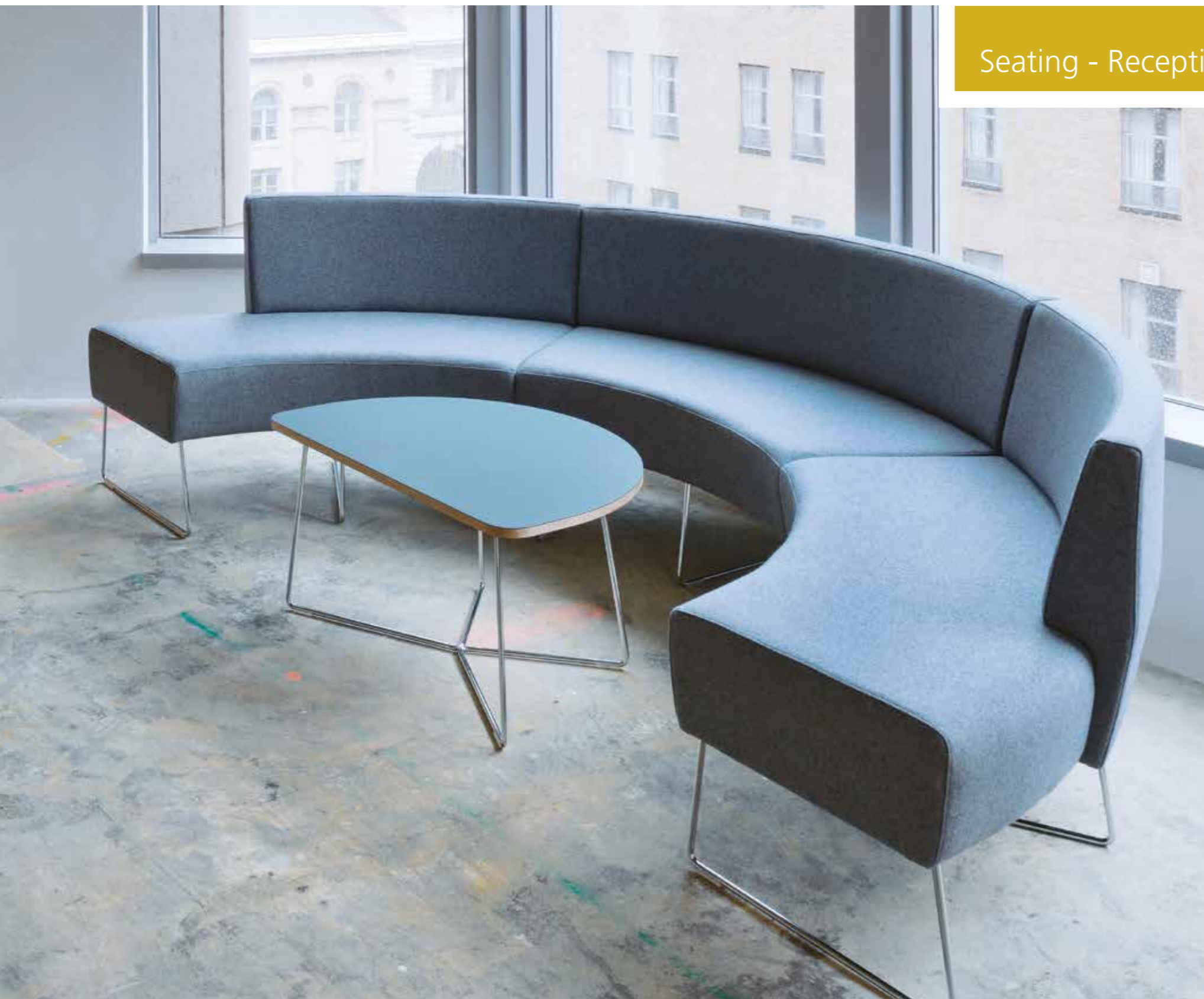
With a modern and clean aesthetic, Be high stool has been designed for hospitality and collaboration areas to facilitate meetings, group practices and transient work. This low back upholstered seat is supported on a chrome plated steel rod frame.

19.69" w High Stool **EUSH**



Be High Stool

Seating - Reception & Conference



a.

This unit is made of a left and a right curved partial back*



b.

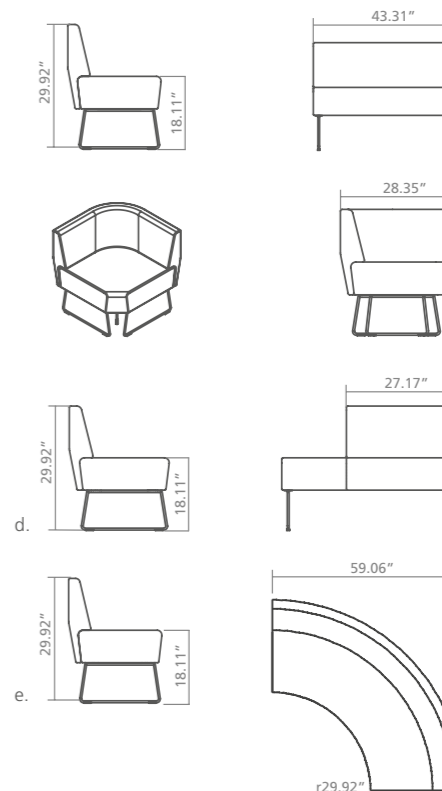


c.

Be Bench

Available in radial and straight modules, the Be Bench can be specified with or without a back and it can be configured to create collaborative and break-out areas. The upholstered body of the Be bench is supported by a chrome plated steel rod frame. *Partial back units can be specified left or right

- a. 59.06x2.36" Curved Partial Back **EUNRC15/EUNLC15**
- b. 43.31" w Bench with Full Back **EUNFS11**
- c. 28.35x28.35" Corner Bench Full Back **EUNFK05**
- d. 43.31" w Bench Partial Back **EUNRS11/EUNLS11**
- 70.87" w Bench Partial Back **EUNRS18/EUNLS18**
- e. 59.06x2.36" Curved Bench Full Back **EUNFC15**



Combination of curved partial and full back Be Benches. Habana D table

Seating - Reception & Conference



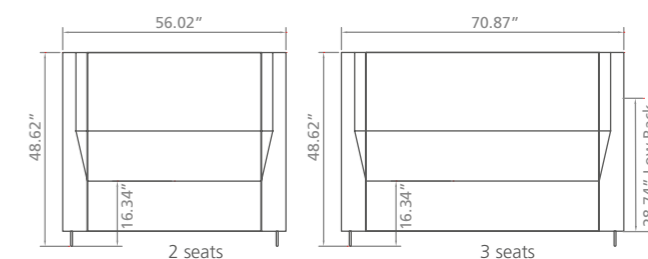
Camira Blazer fabric in Wesley and Aberlour combination



Julio Sofa

Manufactured to high quality standards, the Julio soft seating range is perfect for hospitality and reception areas thanks to its versatility and comfortable design. Available in low-back and high-back options, Julio can be combined to perfection with Be tables to create a unique reception space.

- Julio High Back (2 seats) **EUJ2H**
- Julio High Back (3 seats) **EUJ3H**
- Julio Low Back (2 seats) **EUJ2S**
- Julio Low Back (3 seats) **EUJ3S**



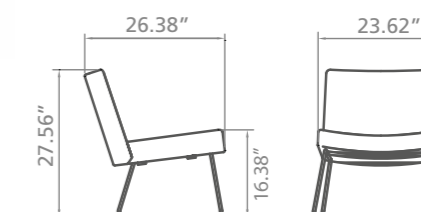
Seating - Reception & Conference



Leaf Chair

A fully upholstered low easy side chair on a simple bright chrome rod frame, lightweight wireframe and a wide body; perfect for informal meeting or break-out spaces where comfortable seating becomes a priority.

27.56x27.56" Leaf Chair **EUCL**



Leaf Chair and Habana round Table

Tables



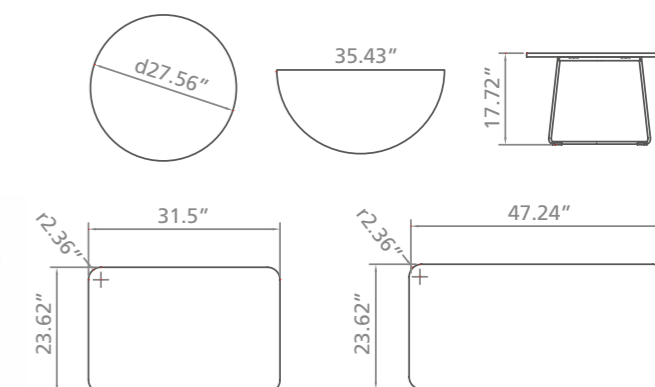
Be rectangular table (EUTR08 31.5" x 23.62")



Habana Tables

Designed with a clean and simple rod cross frame, the Habana table is available in a wide range of top shapes & sizes to suit every need. This versatile range of low tables is a perfect match to Bisley's seating options with rod base frames.

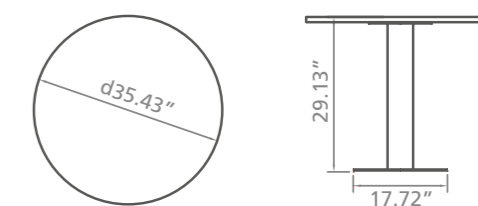
- 27.56diax17.72"h Low Side Table **EUTC07**
- 35.43diax17.72"h Semi Circular Low Side **EUTS09**
- 31.5x23.62x17.72"h Low Side Table **EUTR08**
- 47.24x23.62x17.72"h Low Side Table **EUTR12**



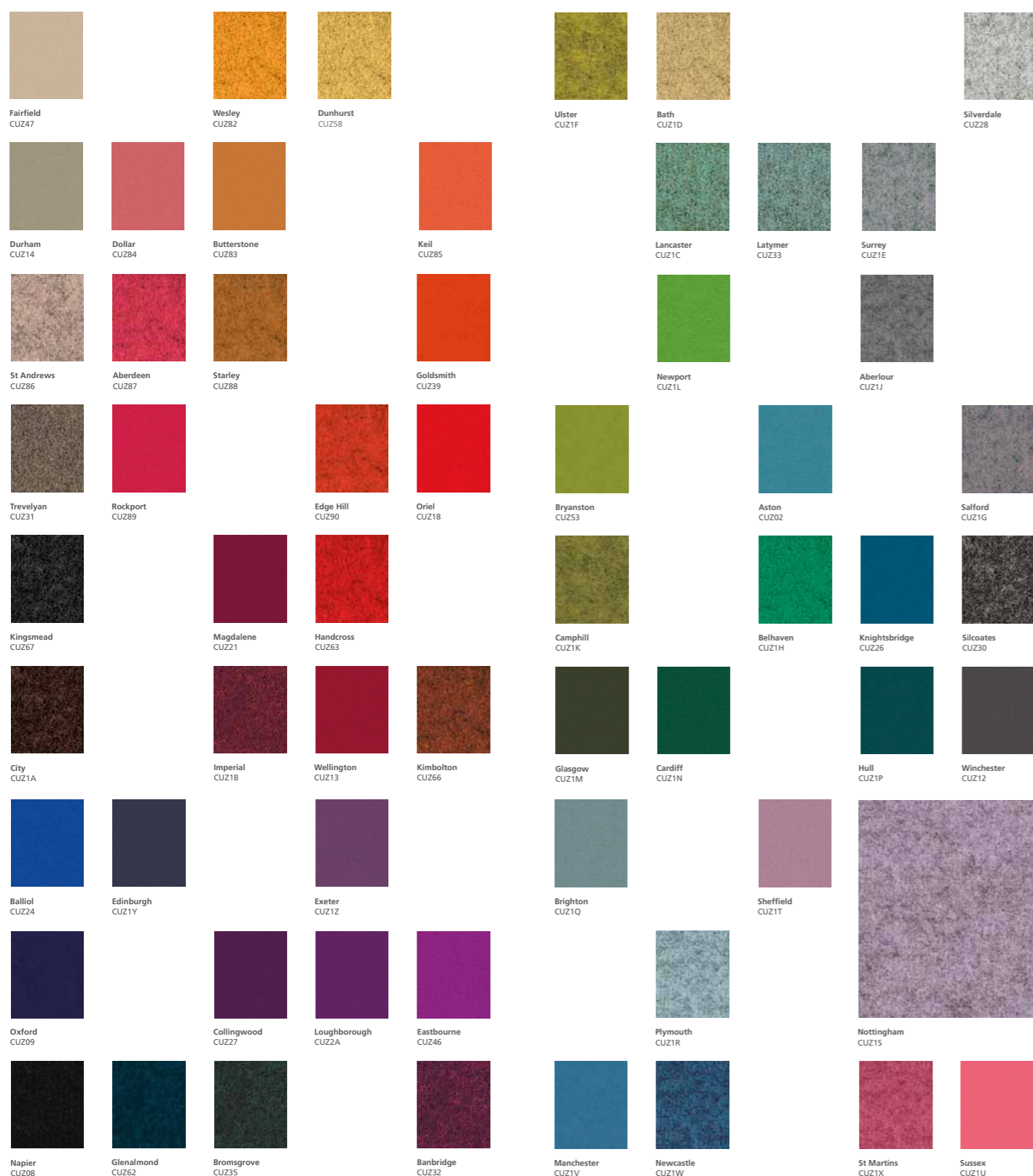
Mondo Round Tables

The Mondo round table is versatile and perfect for occasional meetings. Available in a variety of finishes, this meeting table can be easily combined with the Arthur chair for an informal work session.

- 35.43" dia Mondo Round Table **MOTAB09**



Fabric Color Options



General Terms & Conditions

Guarantees & Service

All Bisley products are guaranteed to cover all defects in materials and workmanship. For details of specific guarantee periods against each product check for up to date information on our website www.bisleyus.com

Conditions

1. The guarantee is only valid with the customer's original invoice or proof of purchase (indicating the date of purchase, product type and dealer's name).
2. The guarantee does not cover damage resulting from misuse, neglect, or accidents and applies when the product is used during normal office hours. Where the product is used for periods which exceed normal office hours the guarantee is valid for eighteen months. (maximum 45 hours per week)
3. Failure due to fair wear and tear is specifically excluded.
4. This guarantee is not transferable and can only be exercised by the original purchaser and is only applicable in the country of purchase.
5. Please arrange for the product to be returned to your Dealer for repair unless otherwise agreed.

The following notes for your (Dealer) guidance will be helpful:-

1. Please ensure your customer has proof of purchase, this will be required for in-guarantee repair.
2. If the furniture requires in-guarantee repair contact Bisley Service Department and ask for a Service Request Form.
3. Should the furniture require repair out of guarantee contact Bisley Service Department for a Repair Request Form.

Repair Service (Dealer Advice)

Bisley Office Furniture is able to offer a Repair Service for products requiring out of guarantee maintenance or repair. Please contact your local Bisley representative for details.

Minimum Order value to Dealer Site

Please contact your Bisley representative for details.

Lead Time

Bisley soft seating orders have an estimated eight week delivery. For more details please contact your Bisley representative.

Order Cancellation / Delivery Deferment

Any request to cancel an order placed to be made in writing. Cancellation costs will be advised based on following:

1. Product not scheduled for production: No charge
2. Standard product scheduled for assembly: quoted price less 50%
3. Special product scheduled for production and all product made awaiting dispatch: quoted price

Any request to defer delivery from original request to be made in writing. Costs may be incurred and will be advised at time of enquiry.

Conditions of Sale

1. The ownership of the goods will only be transferred to the purchaser when the purchaser has paid all that is owing to F. C. Brown (Steel Equipment) Ltd in respect of all goods supplied. Where goods are lost, damaged or destroyed after delivery and ownership has yet to pass the purchaser will indemnify F. C. Brown (Steel Equipment) Ltd against any loss incurred provided such loss, damage or destruction does not result from the negligence of F. C. Brown (Steel Equipment) Ltd.
2. Payment Terms: Nett monthly.
3. All goods are invoiced at prices ruling at date of dispatch.
4. This price list cancels and replaces all previous price lists.
5. We reserve the right to alter models and prices without prior notice.
6. We reserve the right to offset any amount that may be due to the purchaser against their sales ledger account with F.C. Brown (Steel Equipment) Ltd.

Bisley North America

Tel: +1 212 675 3055
Fax: +1 206 971 5088
info@bisleyus.com

Head Office

Tel: +44 (0)1276 450 040
Fax: +44 (0)1276 423 080
info@bisley.com

Design & Production

Tel: +44 (0)1633 637 383
Fax: +44 (0)1633 637 384
info@bisley.com

Bisley UK Showroom

Tel: +44 (0)20 7436 7111
Fax: +44 (0)20 7436 8111
info@bisley.com

Bisley France

Tel: +33 (0)141 399 720
Fax: +33 (0)141 399 721
info@bisley.fr

Bisley GmbH

Tel: +49 211 87541 600
Fax: +49 211 87541 899
info@bisley.de

Bisley The Netherlands

Tel: +31 (0)13 463 06 62
Fax: +31 (0)13 463 96 15
info@bisley.nl

Bisley Ireland

Tel: +353 (0)1 276 9100
Fax: +353 (0)1 276 9101
info@bisley.ie

Bisley Dubai

Tel: +971 (0)4 450 3747
Fax: +971 (0)4 450 8926
dubai@bisley.com

Bisley Spain

Tel: +34 94 633 32 00
Fax: +34 94 633 32 33
info@bisley.es

www.bisleyus.com

